

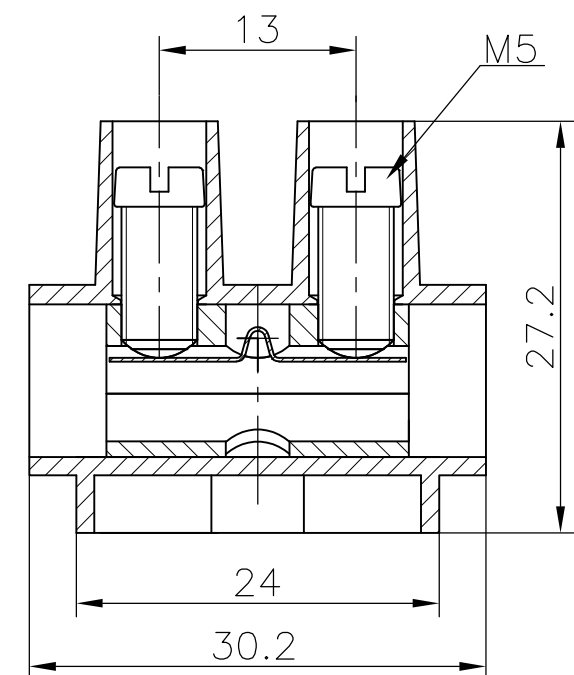
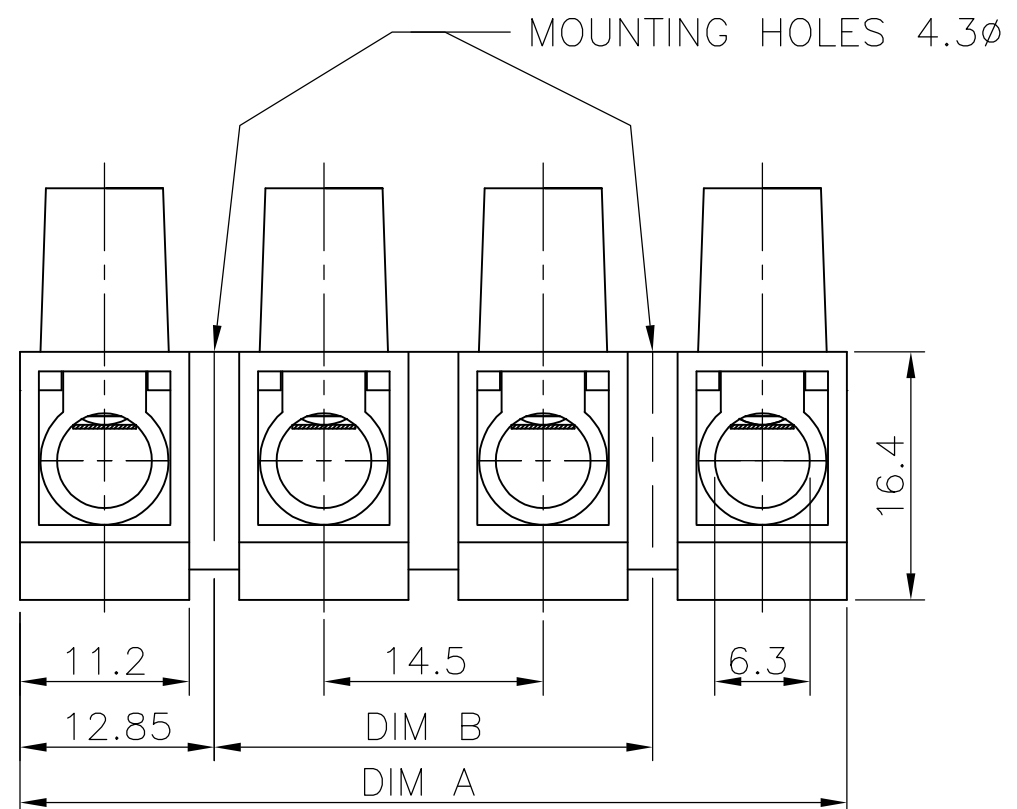
THIS DRAWING IS UNPUBLISHED. RELEASED FOR PUBLICATION
 © COPYRIGHT BY TYCO ELECTRONICS CORPORATION. ALL INTERNATIONAL RIGHTS RESERVED.

LOC	DIST	REVISIONS					
FT	0	P	LTR	DESCRIPTION	DATE	DWN	APVD
			A2	REVISED PER ECO-09-016882	21JUL09	HMR	CR

MATERIAL:
 HOUSING: POLYIMIDE 6 UL94V-0.
 COLOR: BROWN.
 TUBULAR CONTACT: BRASS, TIN PLATED.
 SCREW: M5, STEEL, ZINC PLATED W/ NON-HEXAVALENT CHROMATE (CHROME III).
 WIRE PROTECTOR: STAINLESS STEEL

ELECTRICAL:
 CURRENT RATING: 65A, 600V.
 WIRE RANGE: 6-14 UL AND 6-22 AWG FOR (CSA)

CONTINUOUS WORKING TEMP.: 150°C MAX.



145	170.7	TSB2000K12DSHT	1-1986469-2
130.5	156.2	TSB2000K11DSHT	1-1986469-1
116	141.7	TSB2000K10DSHT	1-1986469-0
101.5	127.2	TSB2000K09DSHT	1986469-9
87	112.7	TSB2000K08DSHT	1986469-8
72.5	98.2	TSB2000K07DSHT	1986469-7
58	83.7	TSB2000K06DSHT	1986469-6
43.5	69.2	TSB2000K05DSHT	1986469-5
29	54.7	TSB2000K04DSHT	1986469-4
14.5	40.2	TSB2000K03DSHT	1986469-3
-	25.7	TSB2000K02DSHT	1986469-2
-	11.2	TSB2000K01DSHT	1986469-1
DIM B	DIM A	CATALOG NUMBER	PART NUMBER

THIS DRAWING IS A CONTROLLED DOCUMENT.		DWN	S SCHLEGEL	9/17/08	Tyco Electronics Corporation Harrisburg, PA 17105-3608		
DIMENSIONS: mm		CHK	C RICHARD	9/17/08			
TOLERANCES UNLESS OTHERWISE SPECIFIED:		APVD	C RICHARD	9/17/08	NAME		
0 PLC ± - 1 PLC ± 0.3 2 PLC ± 0.25 3 PLC ± - 4 PLC ± - ANGLES ± 2°		PRODUCT SPEC		14.5MM PITCH WIRE PROTECTOR 65A HIGH VOLTAGE VERSION, HIGH TEMP			
MATERIAL		APPLICATION SPEC		SIZE			RESTRICTED TO
FINISH		WEIGHT		A3 00779		CAGE CODE	1986469
CUSTOMER DRAWING				DRAWING NO		SCALE	SHEET
				NTS		1 OF 1	REV A2